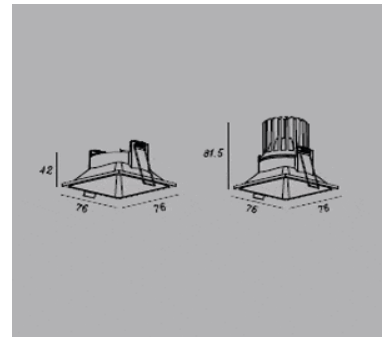


Fixture Specification

Product Code : PLAST-S1
Description : Die-cast aluminium trim
The face cover and the lamp base are made of aluminum alloy and is molded through die-casting, cover and bracket are treated by dusting.



Color Trim : White
Dimension : W: 76 mm. * L: 76 mm. * H: 42 mm.
IP Rating : IP20



Lamp Specification

Type : LED MR16 220V 6.5W
Lamp Life : 15,000 Hrs.
Color Temp : 2700K
Beam Angle : 36 DEGREE



Speclight provides professional lighting design services and lighting consulting to architects, interior designers, project managers, landscape architects and property owners from small to large projects. Services vary from conceptual lighting design through to opening day and beyond. Projects may range from a few hours of consulting to large scale projects with complete documentation followed with on site services.